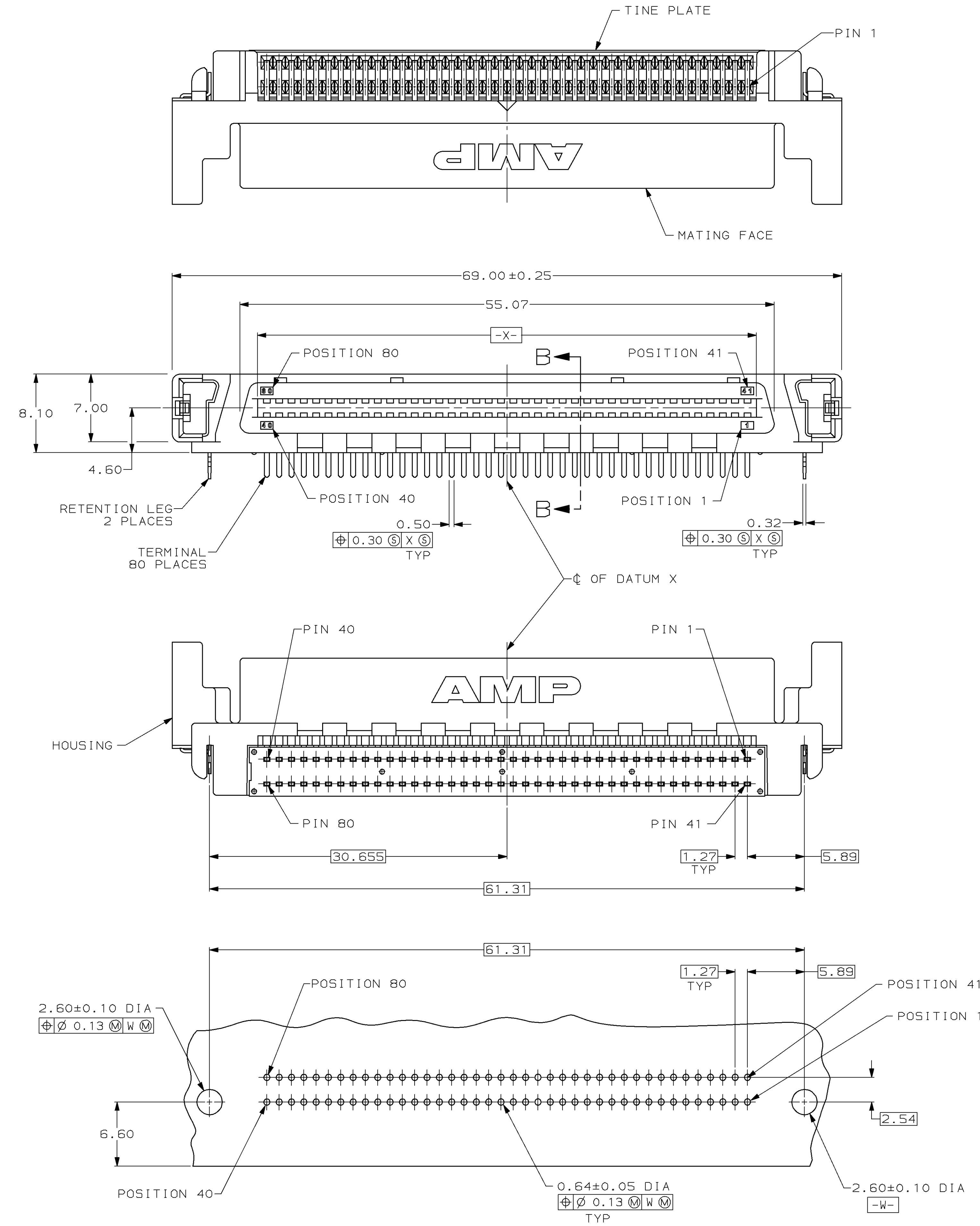
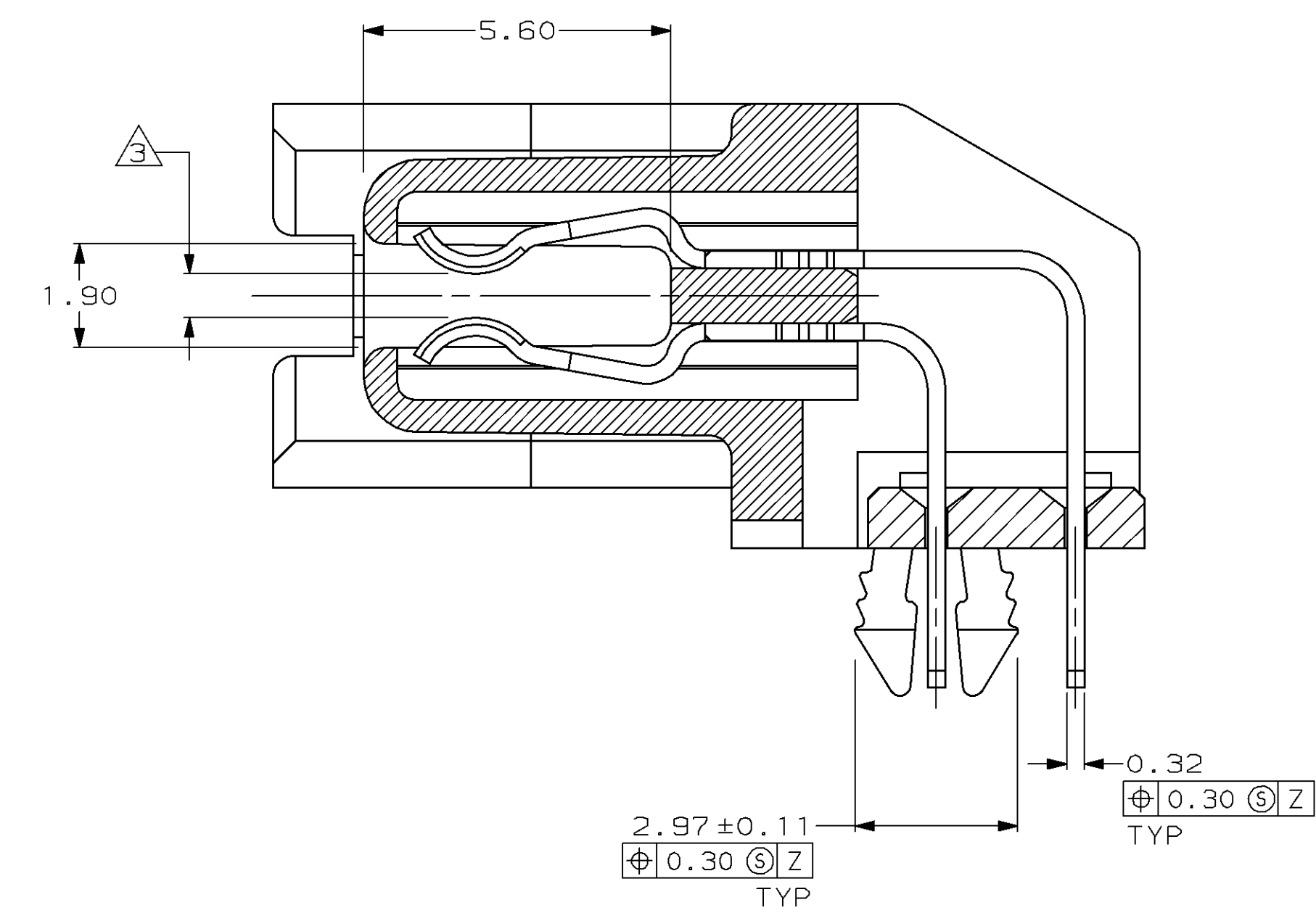
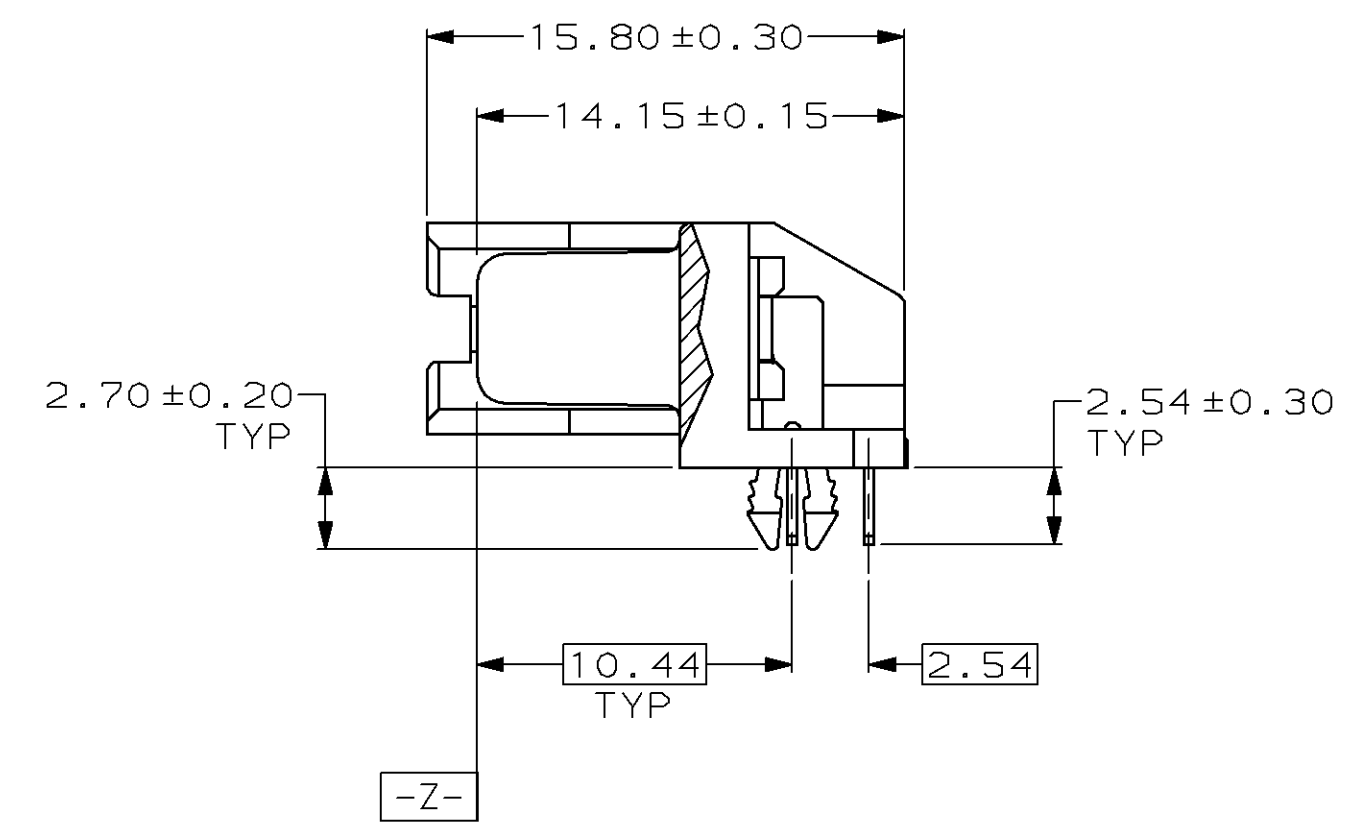


LOC	BD	DIST	REV	DESCRIPTION	DATE	OWN	APPROV
	84		0	RLSE PER NPR 5600, WAS 96-7426-19	09 OCT 96	-	-
			A	REV PER EC 0410-215-96	17 FEB 97	CO	JS
			B	REV PER EC 0410-228-96	17 FEB 97	CO	JS
			C	REV PER EC 0410-152-97	21 APR 97	CD	JS
			D	REV PER EC 0410-239-97	18 JUL 97	CO	JS
			E	REVISED PER EC 0410-393-97	02 OCT 97	DH	SL
			F	REV PER EC 0640-174-98	06 AUG 98	BC	SL



- ① HOUSING: LCP, UL 94V-0 RATED, BLACK.
TINE PLATE: SPS, UL 94V-0 RATED, BLACK.
TERMINALS: PHOSPHOR BRONZE.
RETENTION LEGS: BRASS.
- ② TERMINALS: 0.38μm MIN GOLD FOR A LENGTH 1.20 MIN STARTING 0.50 MAX FROM MATING END, 3.81μm MIN TIN-LEAD FOR A LENGTH OF 3.40 MIN FROM OPPOSITE END, BOTH OVER 1.27μm MIN NICKEL.
RETENTION LEGS: 3.81μm MIN TIN-LEAD OVER 1.27μm MIN NICKEL.
- ③ CONNECTOR WILL ACCOMMODATE MATING PRINTED CIRCUIT BOARD OF 1.60±0.07.



SECTION B-B
SCALE 10:1

RECOMMENDED PC BOARD MOUNTING DIMENSIONS COMPONENT SIDE

80	787915-1
NO OF POSN	PART NUMBER

THIS DRAWING IS A CONTROLLED DOCUMENT.		DWN K. FOLTZ 09 OCT 96	AMP Incorporated Harrisburg, PA 17105-3508
DIMENSIONS: mm		CHK J. SWANK 15 OCT 96	
TOLERANCES UNLESS OTHERWISE SPECIFIED:		APVD J. SWANK 15 OCT 96	NAME RECEPTACLE ASSEMBLY, RIGHT ANGLE, BOARD-TO-BOARD, .050, SERIES I, CHAMP™ BLINDMATE
0 PLC ±.01		PRODUCT SPEC 108-1548-2	
1 PLC ±.02		APPLICATION SPEC	SIZE A1
2 PLC ±.03		WEIGHT -	CAGE CODE 00779
3 PLC ±.04		CUSTOMER DRAWING	DRAWING NO C-787915
4 PLC ±.05			SCALE 4:1
ANGLES ±.01			SHEET 1 OF 1
FINISH			REV F